

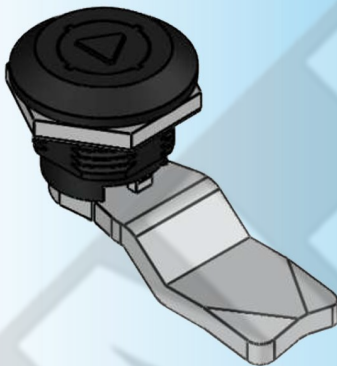
For Product Step File or 3D Model Send a Request Mail To info@nrack.com



Photo View

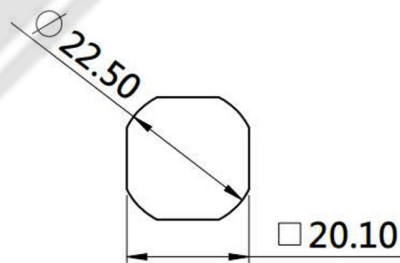
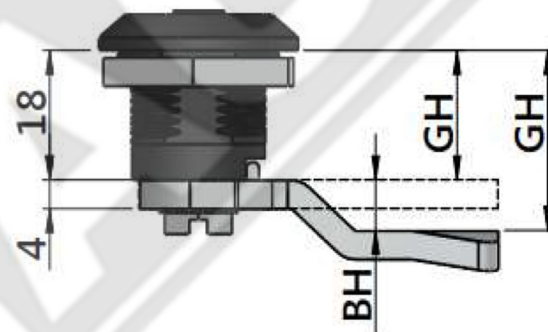
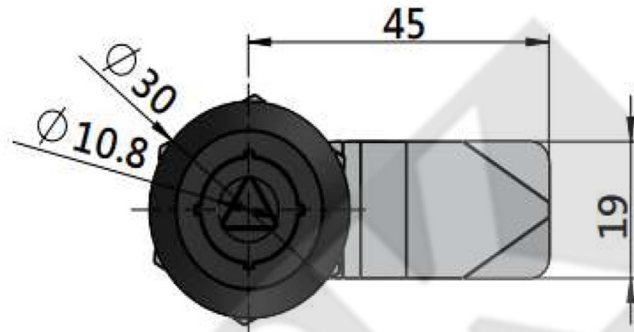


3D Rendered View



**MS 727**

- Material: Zinc die-casting body, Zinc plating cam, Protection of steel bolt shedding structure
- Finish: Black powder coated
- Panel thickness: 1~5mm



CUT OUT

GRIPPING HEIGHT (GH)	BENDING HEIGHT (BH)
18	00
20	02
25	07